



Dimensional Data

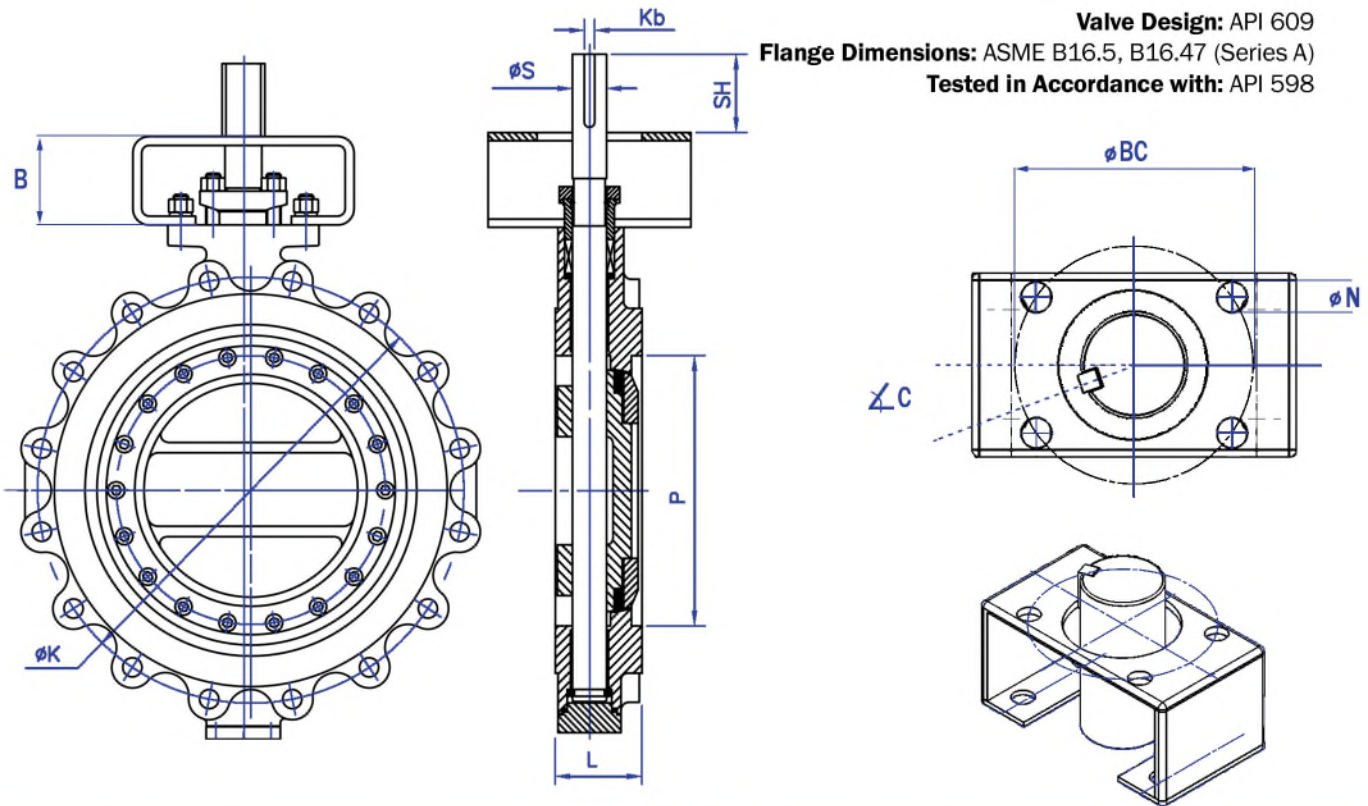
Size: 3" thru 60"

Class: 150 thru 600

Valve Design: API 609

Flange Dimensions: ASME B16.5, B16.47 (Series A)

Tested in Accordance with: API 598



Class 150

Size	P	L	K	B	SH	S	BC	Kb x Key	N x No.	Wgt
3	3.00	1.88	6.00	2.4	1.77	0.71	2.75	0.23 x 1	0.35 x 4	28.6
4	4.00	2.13	7.50	2.4	1.77	0.71	2.75	0.23 x 1	0.35 x 4	41.8
6	6.00	2.25	9.50	2.4	2.16	0.87	4.02	0.31 x 1	0.43 x 4	66.0
8	8.00	2.50	11.75	3.2	2.55	1.02	4.92	0.31 x 1	0.51 x 4	99.0
10	10.00	2.80	14.25	3.9	2.55	1.18	6.50	0.31 x 2	0.83 x 4	143.0
12	12.00	3.18	17.00	3.9	3.15	1.42	6.50	0.39 x 2	0.83 x 4	209.0
14	13.25	3.62	18.75	3.9	3.35	1.57	6.50	0.47 x 2	0.83 x 4	319.0
16	15.25	4.00	21.25	4.6	3.35	1.77	10.00	0.55 x 2	0.67 x 8	448.8

Dimension C (Stem Offset) = 5 Degrees

Class 300

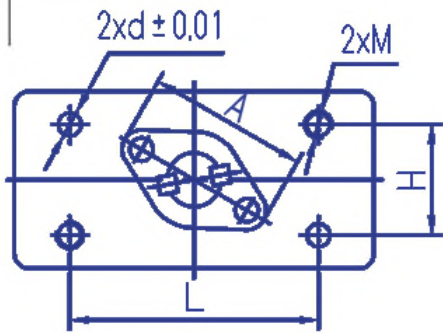
Size	P	L	K	B	SH	S	BC	Kb x Key	N x No.	Wgt
3	3.00	1.88	6.00	2.4	1.77	0.71	4.02	0.23 x 1	0.43 x 4	35.2
4	4.00	2.13	7.87	2.4	1.77	0.71	4.02	0.23 x 1	0.43 x 4	59.4
6	6.00	2.32	10.63	3.2	2.20	1.02	4.92	0.31 x 1	0.51 x 4	88.0
8	8.00	2.88	13.00	3.9	2.76	1.18	6.50	0.31 x 2	0.83 x 4	125.4
10	10.00	3.25	15.25	3.9	2.76	1.57	6.50	0.47 x 2	0.83 x 4	187.0
12	12.00	3.62	17.75	4.7	3.94	1.77	10.00	0.55 x 2	0.67 x 8	270.6

Dimension C (Stem Offset) = 5 Degrees

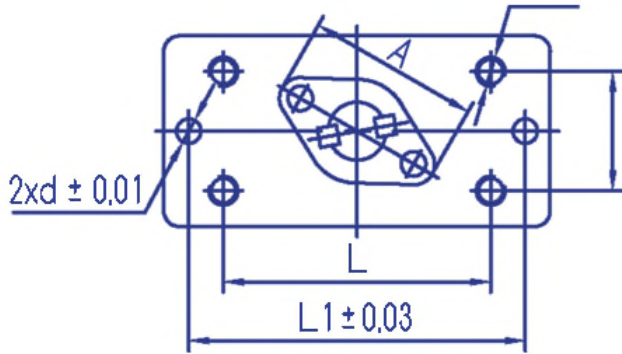
Dimensional data on sizes and pressures not shown is available upon request.



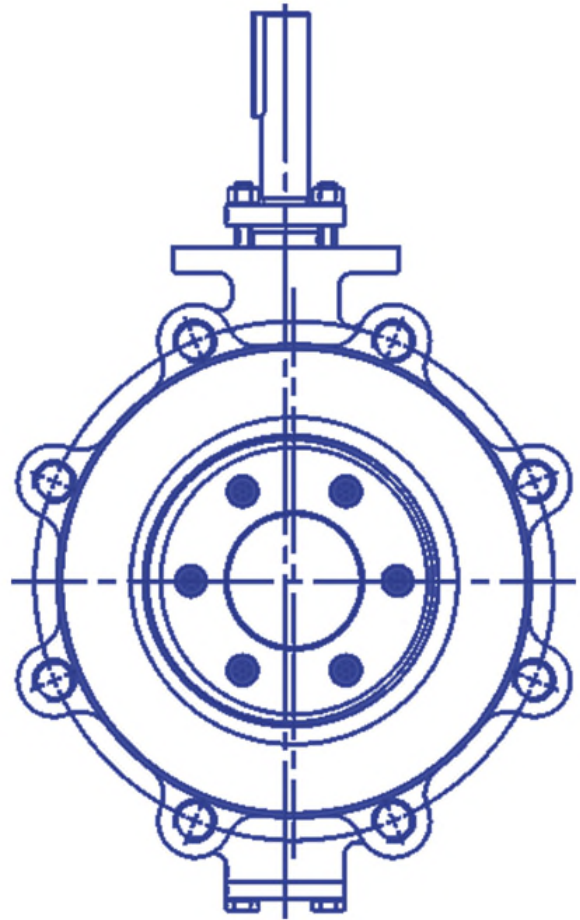
Topworks Dimensions



NPS3-6 CL150
NPS3-4 CL300



NPS8-24 CL150
NPS6-12 CL300



Class 150						
Size	L	H	M	L1	d	A
3	3.14	0.59	M10	-	0.31	2.28
4	3.14	0.59	M10	-	0.31	2.28
6	3.14	0.59	M10	-	0.31	2.53
8	4.33	1.10	M10	4.72	0.31	3.03
10	5.12	1.26	M16	6.30	0.47	3.30
12	5.12	1.26	M16	6.30	0.47	3.70
14	5.12	1.26	M16	6.30	0.47	3.86
16	7.48	1.57	M20	8.86	0.63	4.60

Class 300						
Size	L	H	M	L1	d	A
3	3.14	0.59	M10	-	0.31	2.28
4	3.14	0.59	M10	-	0.31	2.28
6	4.33	1.10	M10	4.72	0.31	3.03
8	5.12	1.26	M16	6.30	0.47	3.30
10	5.12	1.26	M16	6.30	0.47	3.80
12	7.48	1.57	M20	8.86	0.63	4.60

Dimensional data on sizes and pressures not shown is available upon request.